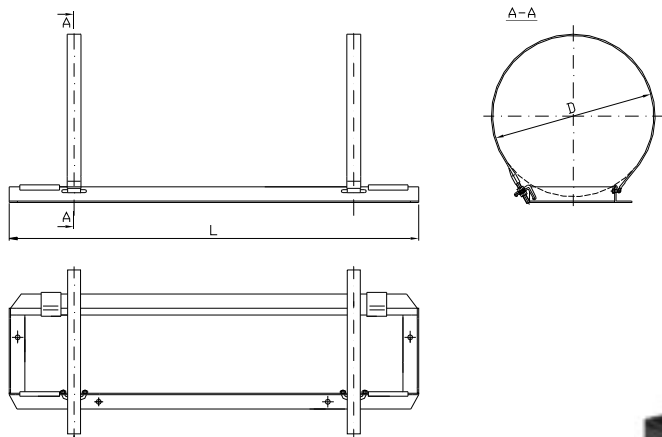


# Stelaze do mocowania zbiorników cylindrycznych LPG

Structures to fasten for cylindrical LPG tanks



Lp. Pos.	Typ stelaza Type of structure	Stelaz do zbiornika Structure for a tank		Długość Length L[mm]
		Średnica Diameter D [mm]	Pojemność Capacity V [l]	
1	ST 200/10	200	10	370
2	ST 200/15	200	15	538
3	ST 200/20	200	20	704
4	ST 200/25	200	25	870
5	ST 200/30	200	30	1040
6	ST 200/35	200	35	1205
7	ST 200/40	200	40	1370
8	ST 244/15	244	15	360
9	ST 244/20	244	20	470
10	ST 244/25	244	25	580
11	ST 244/30	244	30	690
12	ST 244/35	244	35	800
13	ST 244/40	244	40	910
14	ST 244/45	244	45	1020
15	ST 244/50	244	50	1130
16	ST 244/55	244	55	1240
17	ST 244/60	244	60	1350
18	ST 270/30	270	30	575
19	ST 270/35	270	35	665
20	ST 270/40	270	40	755
21	ST 270/45	270	45	845
22	ST 270/50	270	50	936
23	ST 270/55	270	55	1030
24	ST 300/40	300	40	612

Lp. Pos.	Typ stelaza Type of structure	Stelaz do zbiornika Structure for a tank		Długość Length L[mm]
		Średnica Diameter D [mm]	Pojemność Capacity V [l]	
25	ST 300/45	300	45	676
26	ST 300/50	300	50	750
27	ST 300/55	300	55	820
28	ST 300/60	300	60	890
29	ST 300/65	300	65	964
30	ST 315/30	315	30	428
31	ST 315/35	315	35	496
32	ST 315/40	315	40	562
33	ST 315/45	315	45	628
34	ST 315/50	315	50	676
35	ST 315/55	315	55	750
36	ST 315/60	315	60	820
37	ST 315/65	315	65	890
38	ST 315/75	315	75	1027
39	ST 360/40	360	40	431
40	ST 360/45	360	45	482
41	ST 360/50	360	50	533
42	ST 360/55	360	55	584
43	ST 360/60	360	60	635
44	ST 360/70	360	70	737
45	ST 360/80	360	80	839
46	ST 360/90	360	90	941
47	ST 360/100	360	100	1043